



AMERICAN

THE RIGHT WAY



Introducing
AMERICAN
Flow Control

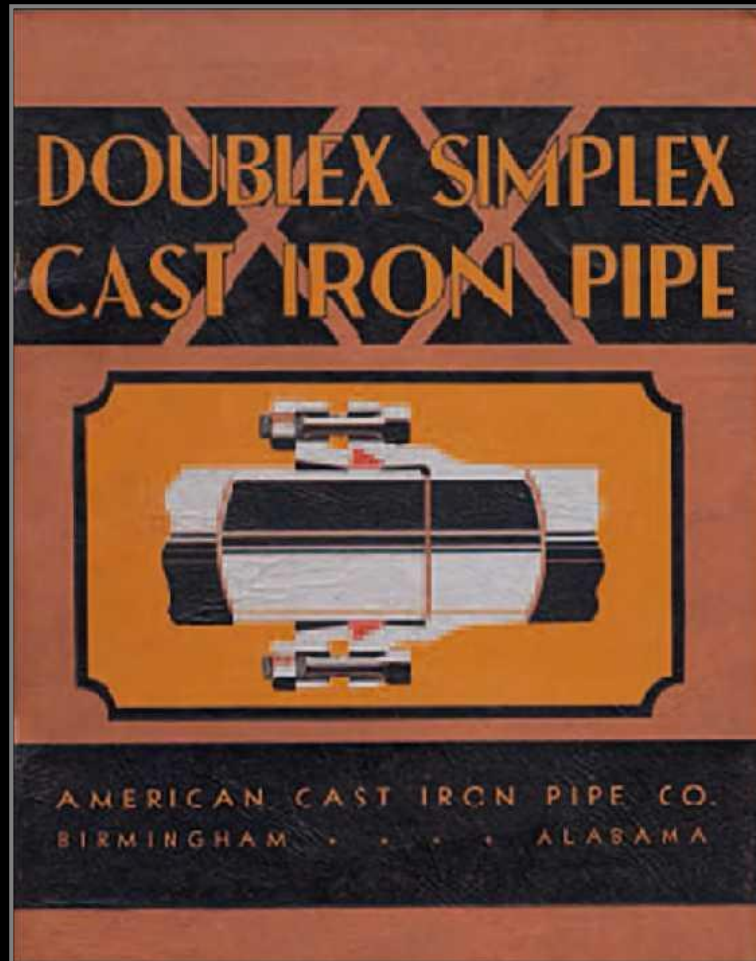
Valves and Hydrants
with

ALPHA™ Ends

ALPHA is a licensed trademark of Romac Industries, Inc.
(U.S. Patent 8,894,100)



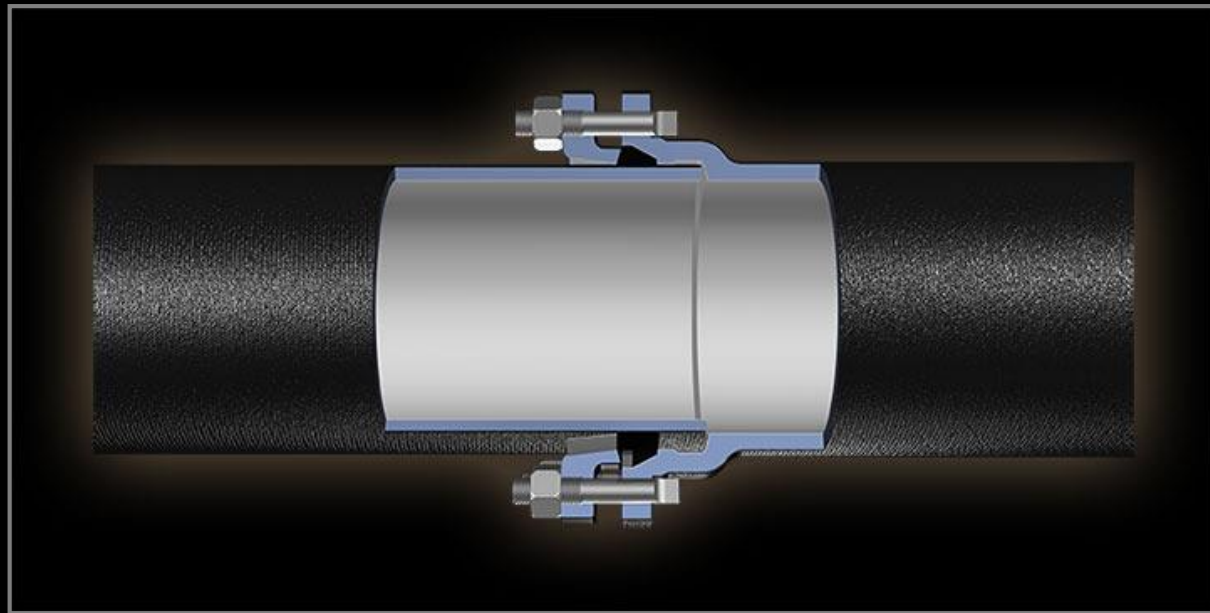
**AMERICAN Flow Control Series 2500 RWGV
with ALPHA Restrained Joint Ends**



DOUBLEX SIMPLEX Mechanical Joint (MJ) Pipe

Developed and Patented
by AMERICAN
in 1929

The Mechanical Joint (MJ)



- Originally Developed for the Gas Industry
- Became the Gold Standard for the Water and Wastewater Industries

Few Things In Our Industry Have Been More Innovative
Than the Mechanical Joint



TRADITIONAL “MJ” ENDS
REQUIRE OPTIONAL RESTRAINING
ACCESSORIES TO ACHIEVE
JOINT RESTRAINT

ALPHA FEATURE and BENEFIT:

Accommodates most all standard pipe material.

ALPHA can be installed on ductile iron, cast iron, PVC and HDPE pipe.

That means it will work with just about any pipe material on the job...

ALPHA FEATURE and BENEFIT:

Less time to install.

Compared to MJ, which use up to eight (8) T-head bolts and eight (8) wedge bolts on each valve end, ALPHA uses only one (1) stainless steel bolt.

Saves time and money.

VALVE	WEDGE BOLTS	T-HEAD BOLTS	ALPHA BOLTS
4"	2	4	1
6"	3	6	1
8"	4	6	1
10"	6	8	1
12"	8	8	1

ALPHA FEATURE and BENEFIT:

Pre-assembled accessories.

Compared to MJ, which requires assembly of bolts around the circumference of the valve, ALPHA comes with the accessories preassembled and requires the tightening of only one (1) bolt.

Saving even more time and money.

ALPHA FEATURE and BENEFIT:

Hex-bolt assembly is located on top of valve inlet.

The location of the installation assembly being on top of the valve inlet, and not under the valve, makes installation easier, faster and can help reduce the potential for leaks.

ALPHA FEATURE and BENEFIT:

Assisted by pressure.

The ALPHA restraint mechanism is assisted by the line pressure to achieve a seal.

This allows for lower assembly torques.



CURRENT CONFIGURATIONS:

- 4" -12" RW Gate Valves with ALPHA x ALPHA Ends
- American-Darling Fire Hydrants (90-Degree Base)
- Waterous Fire Hydrants (90-Degree Base)



STANDARD ALPHA:

- DUCTILE IRON PIPE
per AWWA C151
- HDPE
per AWWA C906
- PVC
per ASTM D1785 (Schedule 40 and 80)
per ASTM D2241 (SDR 21)
per AWWA C900

Size Ranges:

Nominal Size (in)	ALPHA OD Range OD Range (in)
4	4.50 - 4.90
6	6.60 - 7.00
8	8.60 - 9.10
10	10.75 - 11.20
12	12.75 - 13.30



The AFC Series 2500
with **ALPHA** Restrained Joint Ends.

The only valve or hydrant you will ever need...



<http://www.american-usa.com/resources/videos/series-2500-with-alpha-ends>

**Alpha Valve install vs.
Mechanical joint install.**

For More Information
Visit Our Website at

www.american-usa.com

